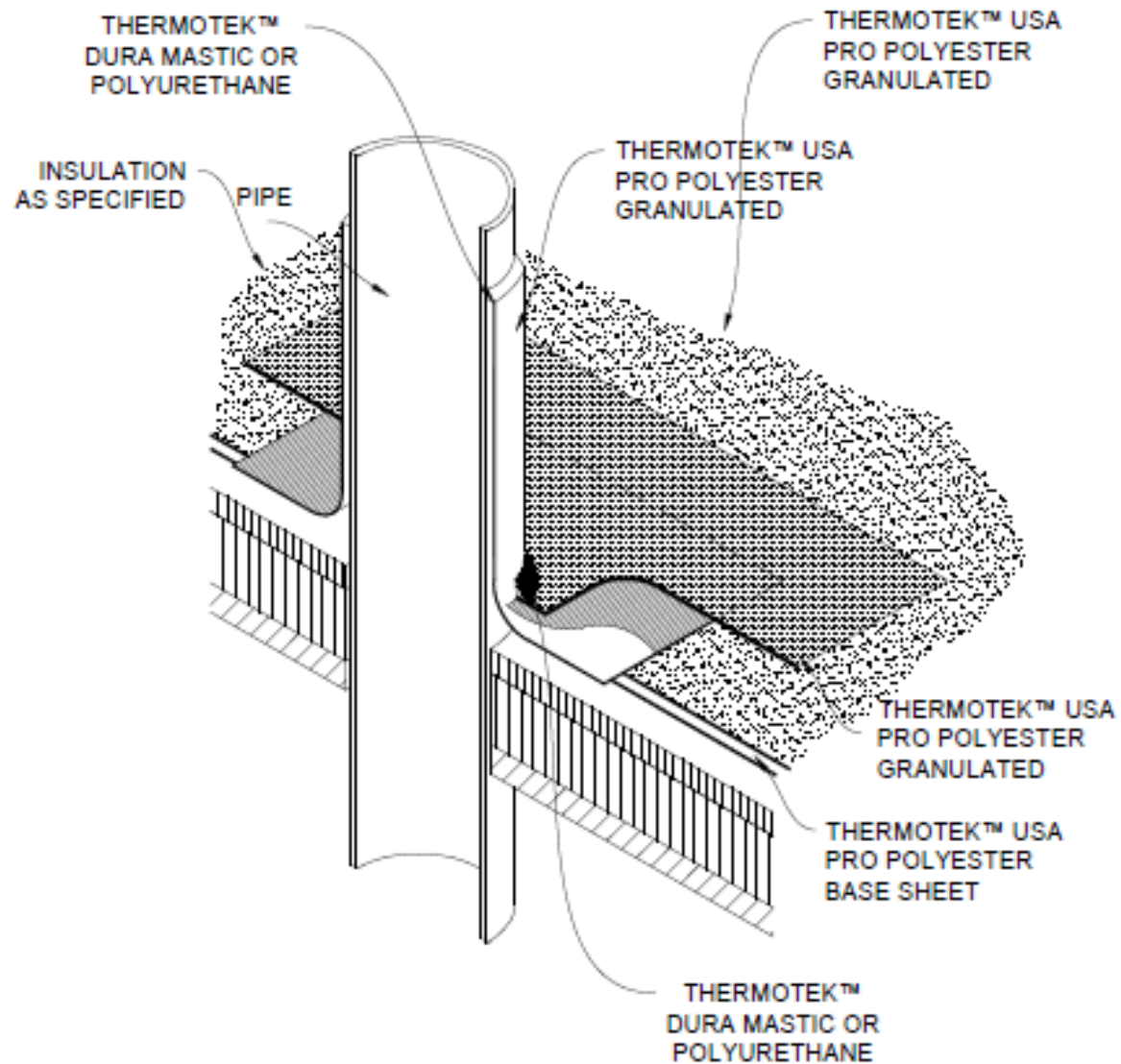


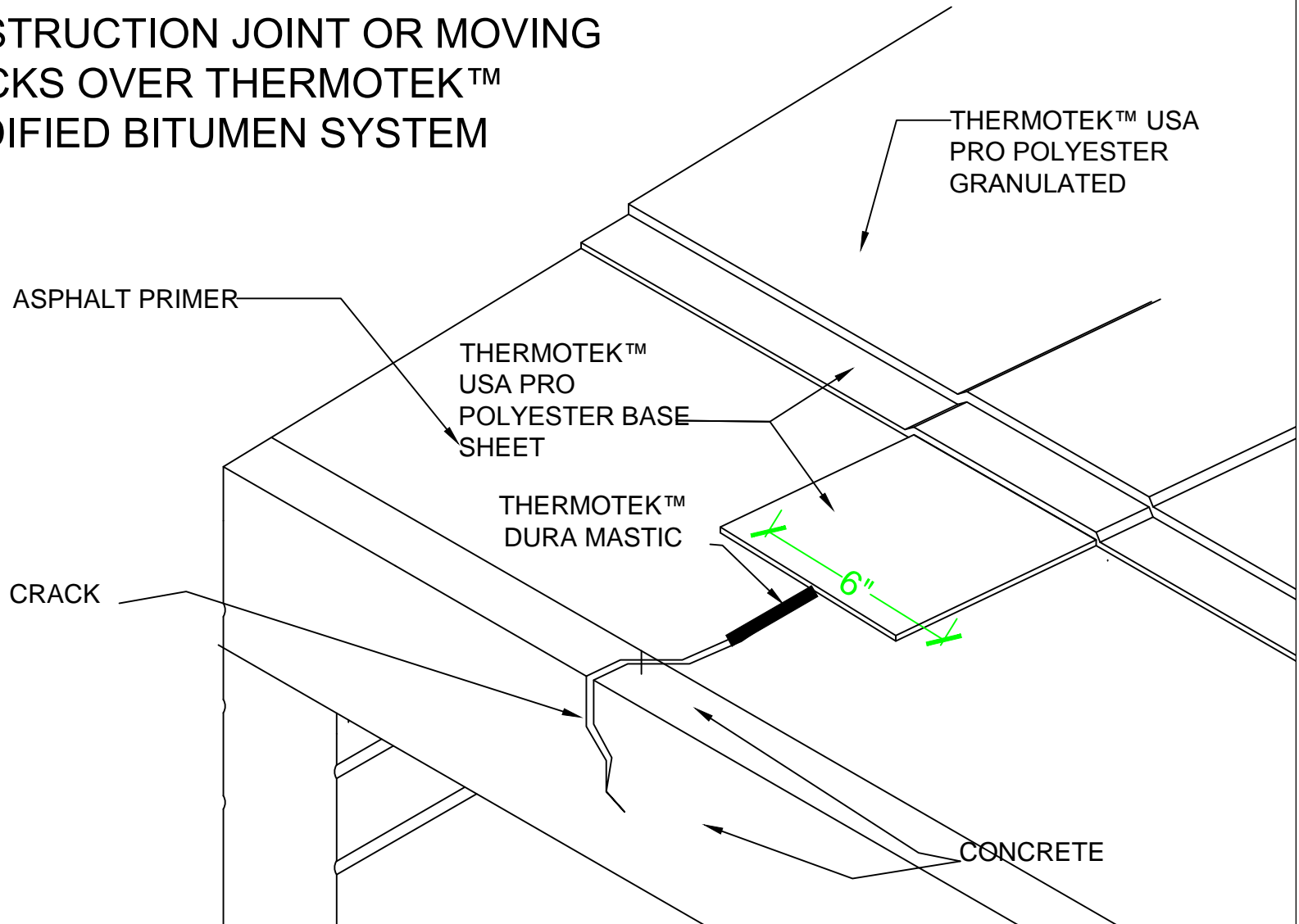
THERMOTEK™

PIPE FLASHING DETAIL OVER THERMOTEK™ MODIFIED BITUMEN SYSTEM



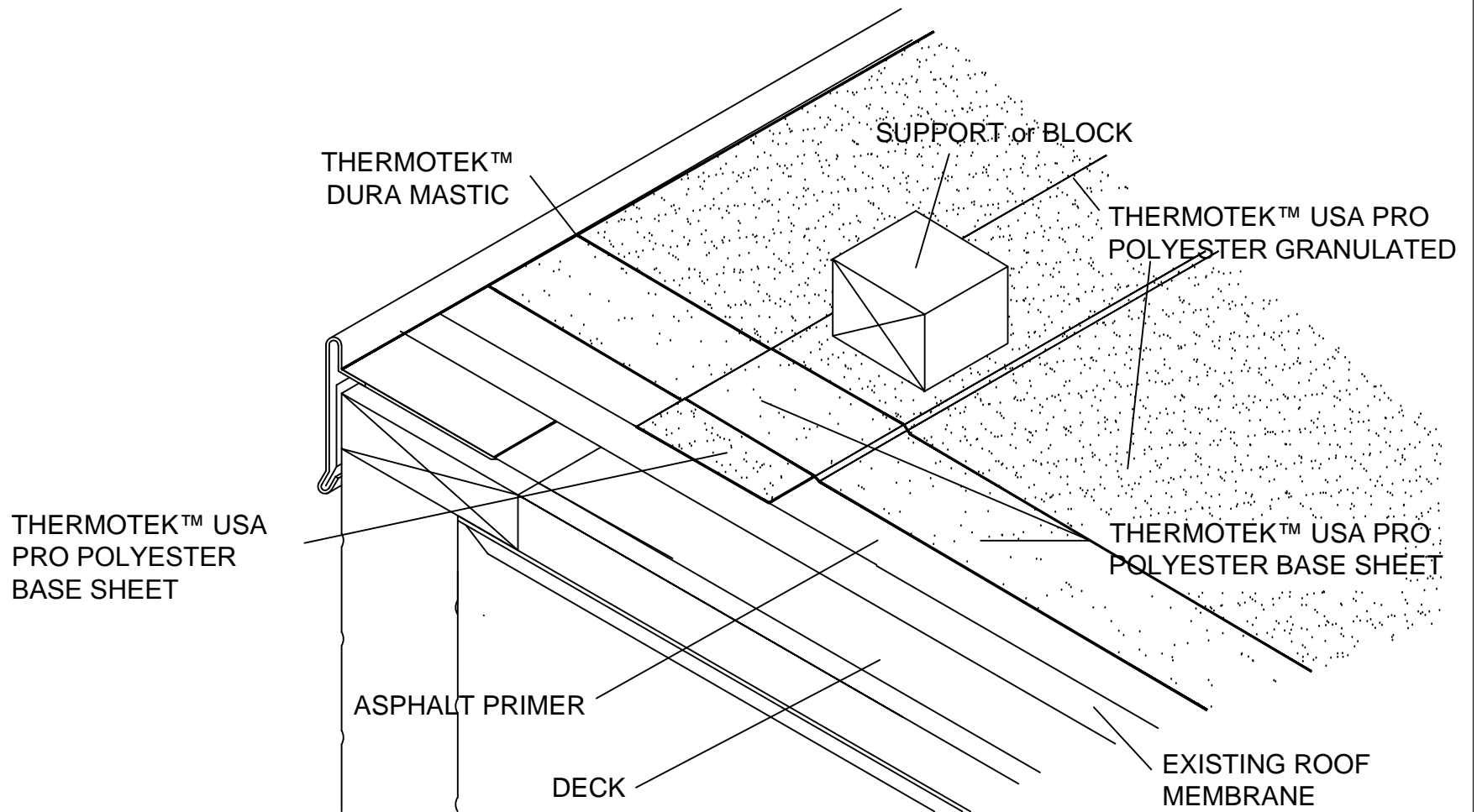
THERMOTOTEK™

DETAIL TO CRACKS GREATER THAN 1/16 CONSTRUCTION JOINT OR MOVING CRACKS OVER THERMOTOTEK™ MODIFIED BITUMEN SYSTEM



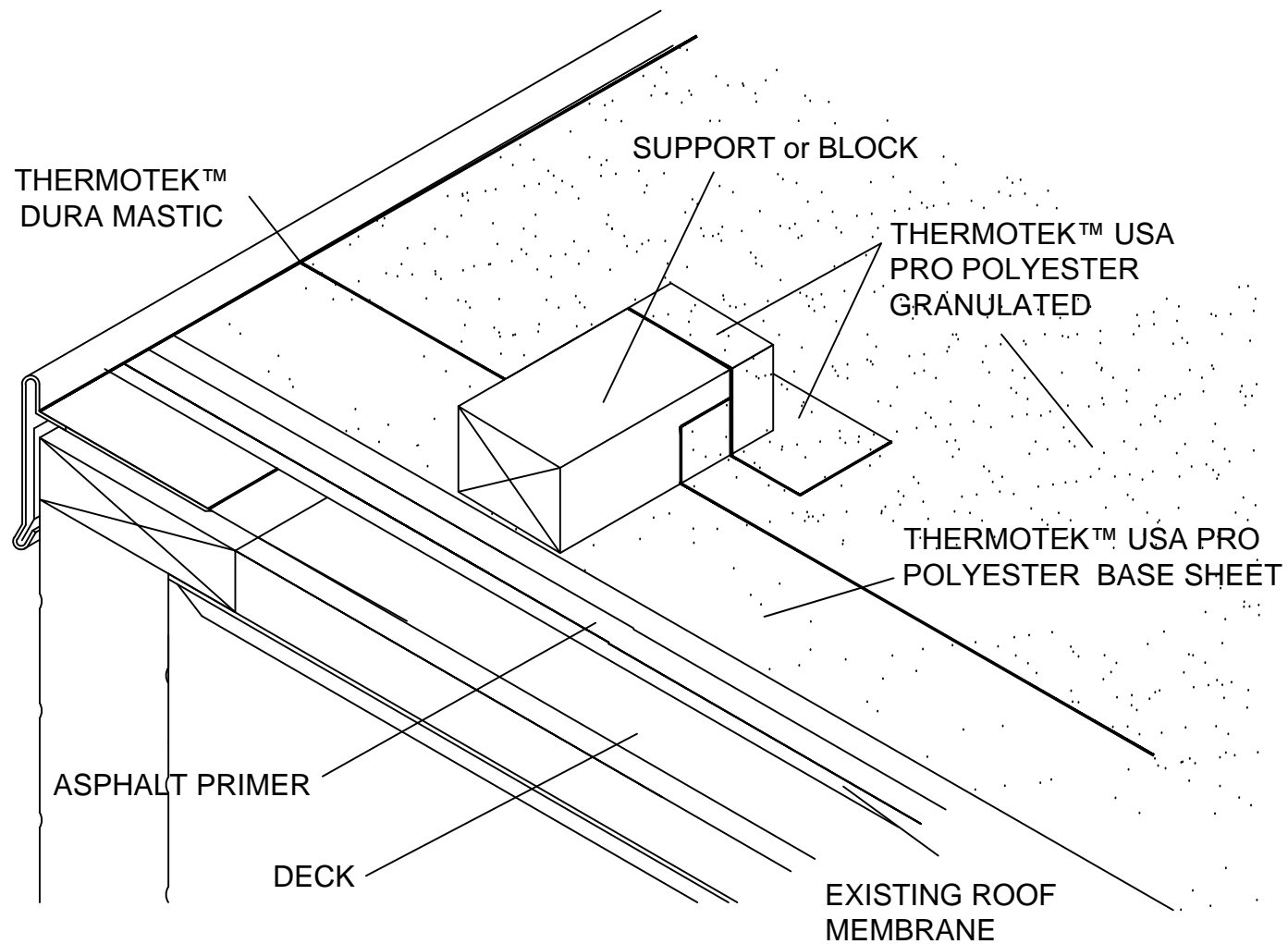
THERMOTEK™

DETAIL TO SUPPORT NEW MODIFIED BITUMEN OVER THERMOTEK™ MODIFIED BITUMEN SYSTEM

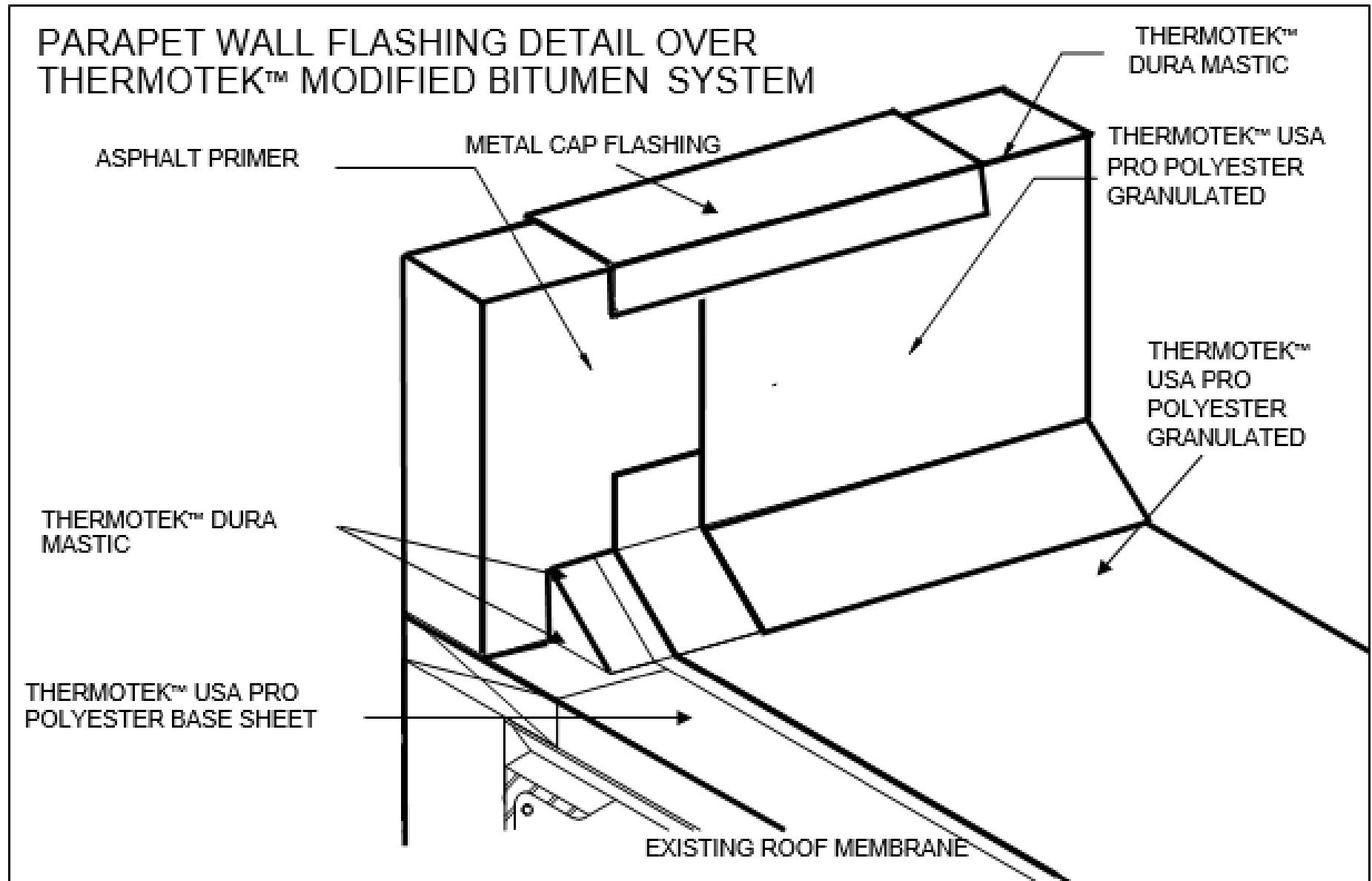


THERMOTEK™

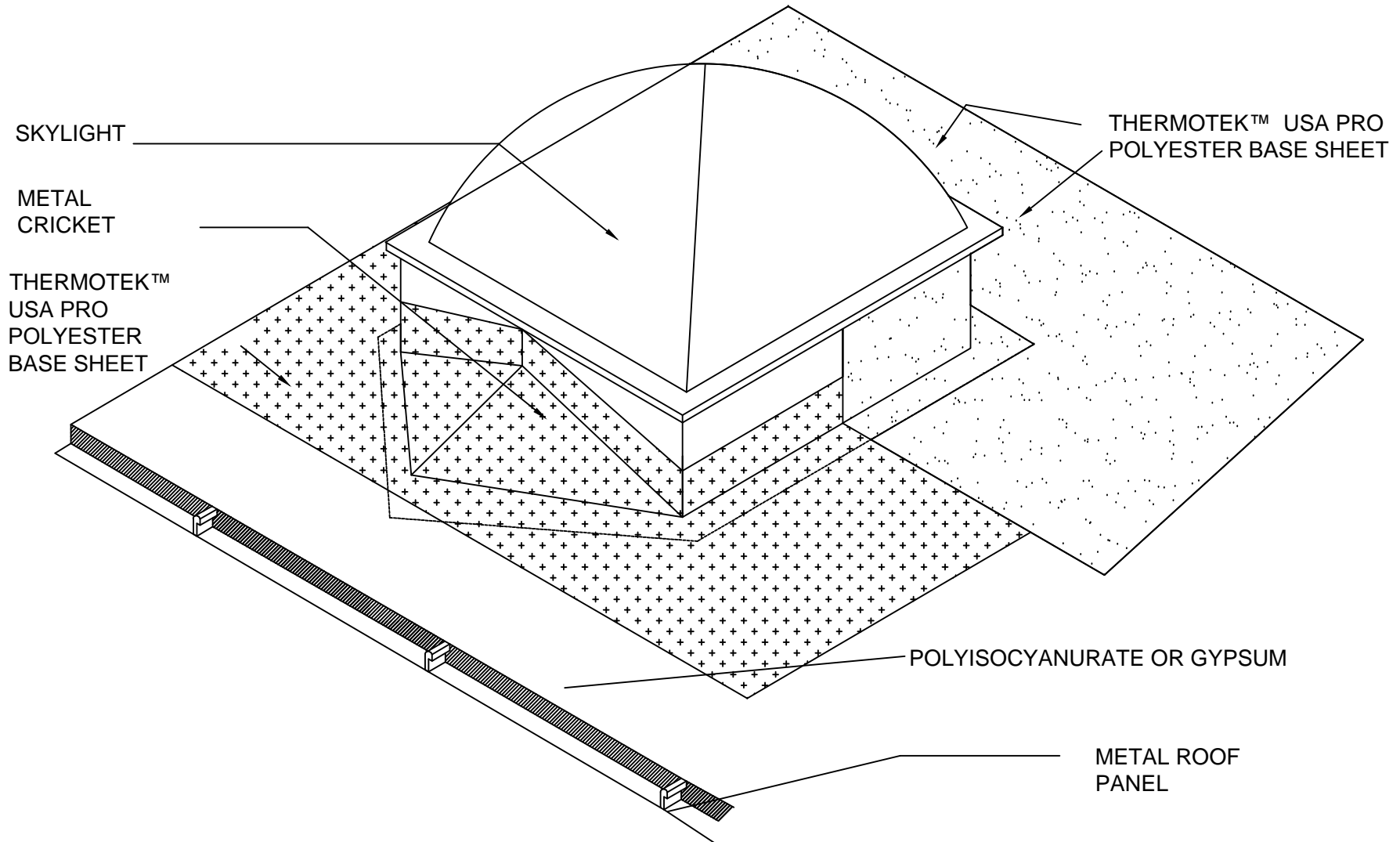
DETAIL TO ENCAPSULATE PRE-EXISTING MODIFIED BITUMEN OVER THERMOTEK™ MODIFIED BITUMEN SYSTEM



THERMOTEK™

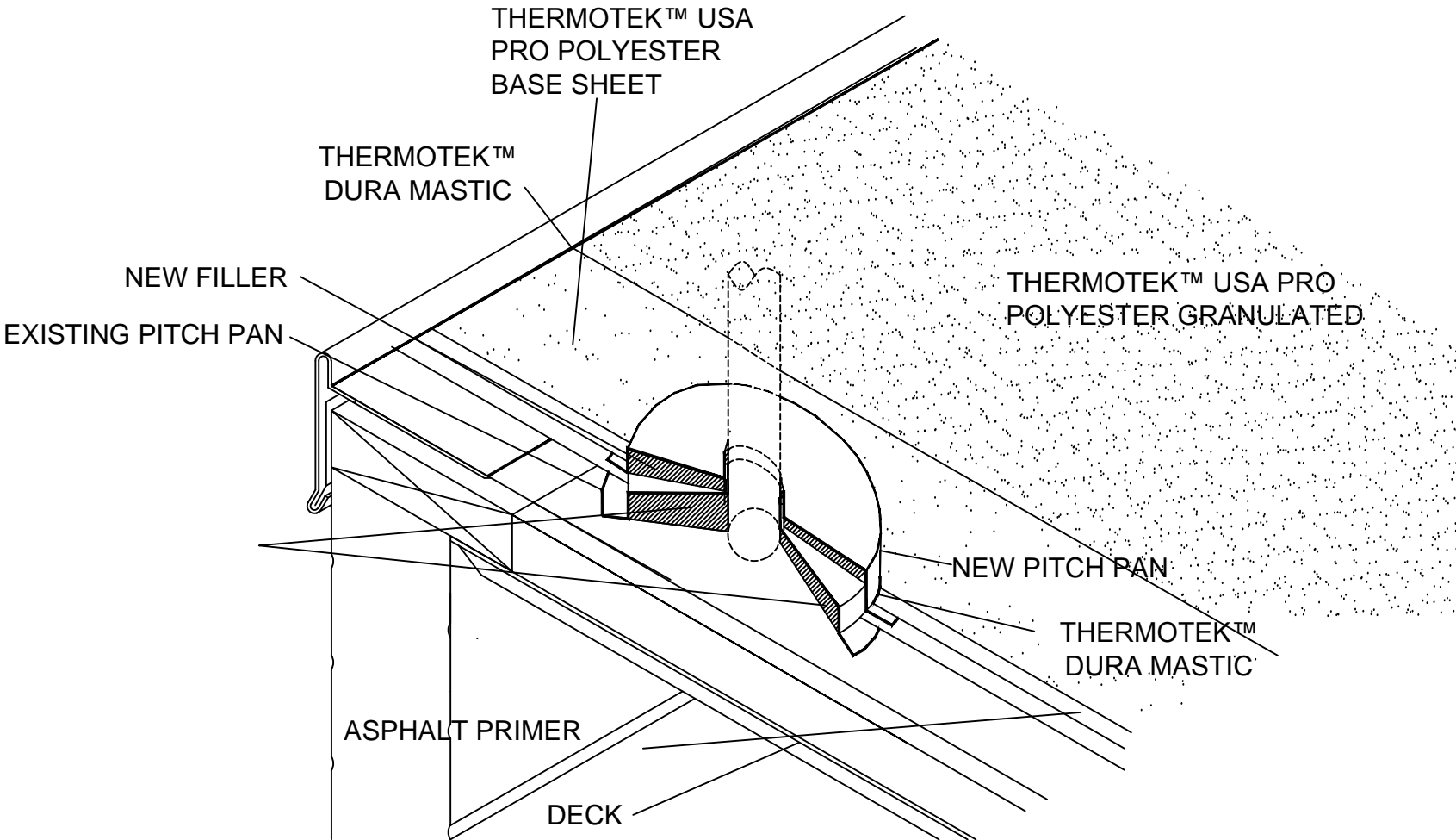


SKYLIGHT CURB DETAIL OVER THERMOTEK™ MODIFIED BITUMEN SYSTEM



THERMOTOTEK™

PITCH PAN DETAIL OVER THERMOTOTEK™ MODIFIED BITUMEN SYSTEM



THERMOTEK™

ROOF DRAIN DETAIL OVER THERMOTEK™ MODIFIED BITUMEN SYSTEM

THERMOTEK™ USA
PRO POL. GRAN, or
THERMOTEK SELF
ADHESIVE POL. GRAN.

THERMOTEK™ USA
PRO POLYESTER
BASE SHEET

ASPHALT PRIMER

THERMOTEK™
DURA MASTIC

THERMOTEK™ USA
PRO POL. GRAN. or
THERMOTEK™ SELF
ADHESIVE POL. GRAN.

THERMOTEK™ USA
PRO POLYESTER
BASE SHEET

ASPHALT PRIMER

TAPER INSULATION
24" DOWN TO DRAIN

